

# LP 50



Bedienungsanleitung  
Operator's manual  
Mode d'emploi  
Instrucciones de funcionamiento

**Attention:**

This operator's manual should be read carefully before using the pistol!

**Important measures when using arms:**

All firearms are dangerous objects, they should be used and stored with utmost caution!

Always treat an unloaded weapon as if it were loaded. Never put your finger on the trigger, except when actually firing a shot. Always ensure that the weapon is pointing in a safe direction. Keeping the weapon in perfect condition ensures safety.

**Weapons always have to be stored out of the reach of unauthorised persons, particularly children and juveniles.**

**TABLE OF CONTENTS**

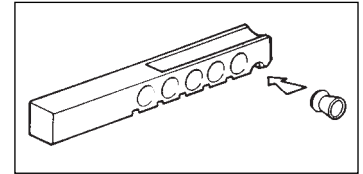
<b>1</b>	<b>Technical data</b> .....	<b>26</b>
<b>2</b>	<b>Filling the magazine</b> .....	<b>27</b>
<b>3</b>	<b>Cocking, inserting the magazine (loading), firing</b> .....	<b>28</b>
<b>4</b>	<b>Removing the magazine (unloading)</b> .....	<b>29</b>
<b>5</b>	<b>Sight adjustment</b> .....	<b>30</b>
5.1	Moving or exchanging the front sight.....	30
5.2	Rear sight adjustment .....	31
5.3	Relocate rear sight .....	31
<b>6</b>	<b>Trigger adjustment</b> .....	<b>32</b>
6.1	Trigger blade adjustment .....	32
6.2	Adjusting the trigger stop .....	33
6.3	Adjusting the trigger pull force .....	34
6.4	Adjusting the first stage travel .....	35
6.5	Replacing the trigger assembly .....	36
<b>7</b>	<b>Grip readjustment</b> .....	<b>37</b>
<b>8</b>	<b>Replacing and refilling the compressed-air cylinder</b> .....	<b>38</b>
<b>9</b>	<b>Cleaning and care</b> .....	<b>39</b>
<b>10</b>	<b>Guarantee clauses</b> .....	<b>39</b>
<b>11</b>	<b>Illustration of spare parts</b> .....	<b>41</b>

## 1 TECHNICAL DATA

Calibre .....	4.5 mm (.177)
Overall height of weapon .....	148 mm
Overall length of weapon .....	398 mm
Overall width of weapon (without magazine) .....	50 mm
Total weight of weapon .....	ca. 1050 g
Sight length .....	307 - 350 mm adjustable
Front sight .....	relocatable front
Rear sight.....	Rear sight continuously adjustable ..... from 2 - 7 mm
Barrel length.....	235 mm
Maximum filling pressure .....	200 bar

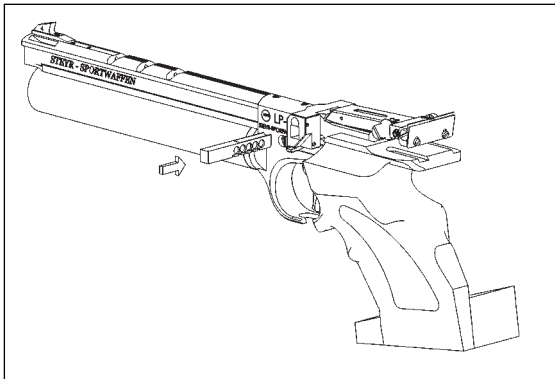
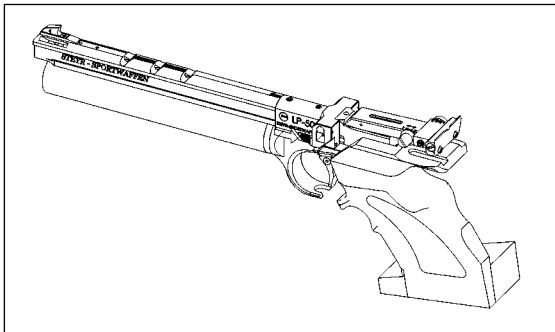
## 2 FILLING THE MAGAZINE

Place pellets one after the other, as shown, into the magazine chambers provided in such a way that the pellet is completely flush with the magazine.



### 3 COCKING, INSERTING THE MAGAZINE (LOADING), FIRING

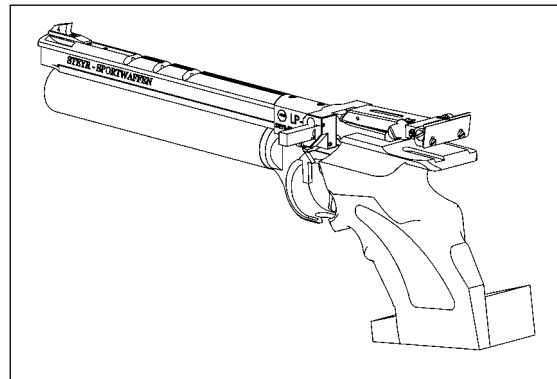
Cock the system by pushing the left and right slides simultaneously backward with thumb and index finger. The magazine may be inserted only when the pistol is cocked. It is impossible to insert the magazine the wrong way because the recess on the magazine and the spring sleeve in the magazine housing must match.



### 4 REMOVING THE MAGAZINE (UNLOADING)

After five shots are fired the magazine is empty. The system is still cocked. If the magazine catch located at the bottom left of the magazine tube is pressed, the magazine can be removed. Should the trigger have been pulled a sixth time the system has to be cocked again in order to be able to remove the magazine.

**The magazine may also be removed without emptying it. When pressing the magazine catch, ensure the magazine, which is under spring pressure, does not fly out.**



## 5 SIGHT ADJUSTMENT

The setscrews have to be turned as follows:

High hit - turn height-adjusting screw in direction H  
Low hit - turn height-adjusting screw in direction T

Right hit - turn side-adjusting screw in direction R  
Left hit - turn side-adjusting screw in direction L

One click of the side-adjusting screw changes the point of impact position by 1.2 mm at a target distance of 10 m.

### 5.1 Moving or exchanging the front sight:

After loosening the countersunk screw the front sight can be moved backwards and forwards.

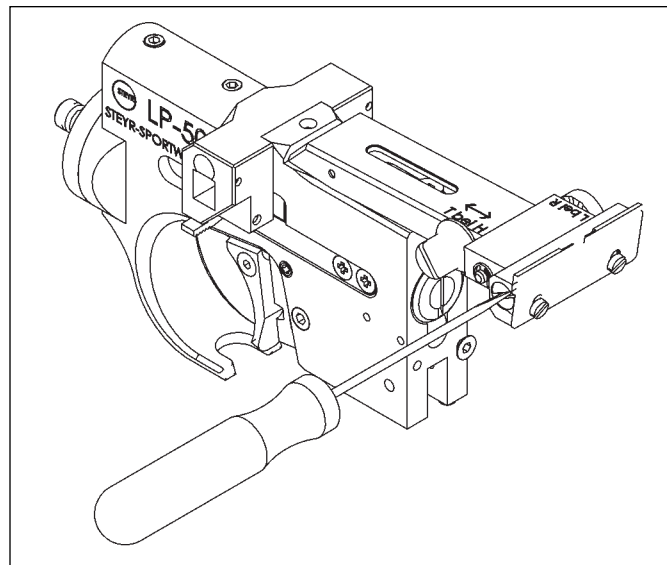
### 5.2 Rear sight adjustment:

Turning the screws n° 79 or 80, the rear sight can be adjusted from 1.5 mm to 4.5 mm.

The depth of the rear sight is adjustable from 1.5 mm to 3.2 mm. Loosen the cover plate screws, move into desired position and then retighten screws.

### 5.3 Relocate rear sight:

Loosening screw, move sight carrier to the desired position and tighten screw.

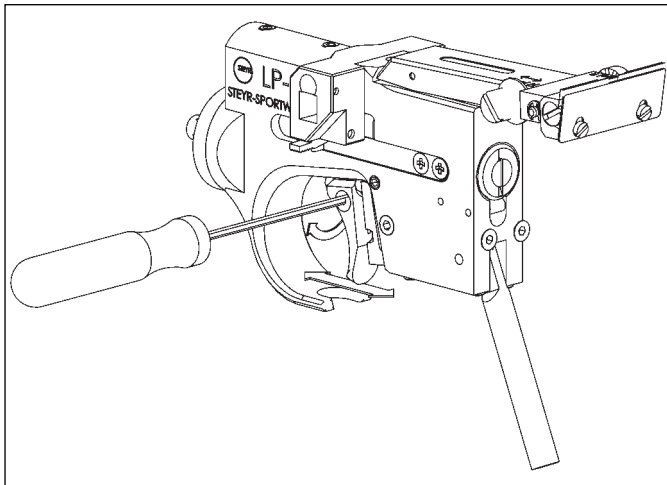


## 6 TRIGGER ADJUSTMENT

**PLEASE NOTE!** Before making any changes to the trigger, ensure that the weapon IS UNLOADED.

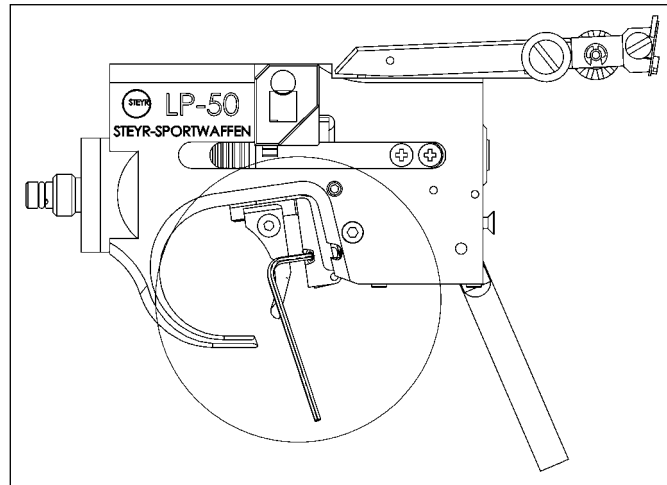
### 6.1 Trigger blade adjustment:

Loosen countersunk screw. The trigger blade may then be moved either to the left or to the right and moved in a longitudinal direction.



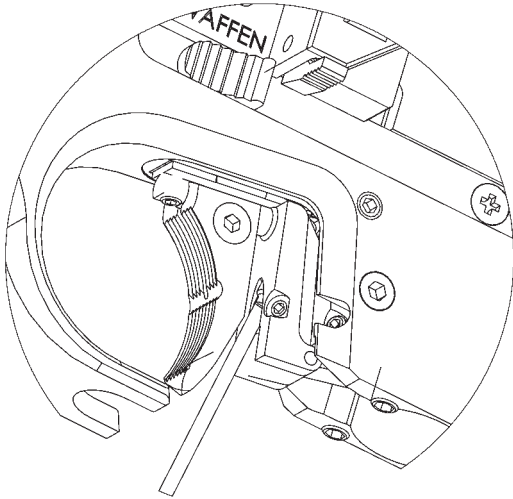
### 6.2 Adjusting the trigger stop:

Turning the screw clockwise shortens the "aftertravel" of the trigger blade after shot release. Turning the screw anticlockwise lengthens the "aftertravel" after shot release.



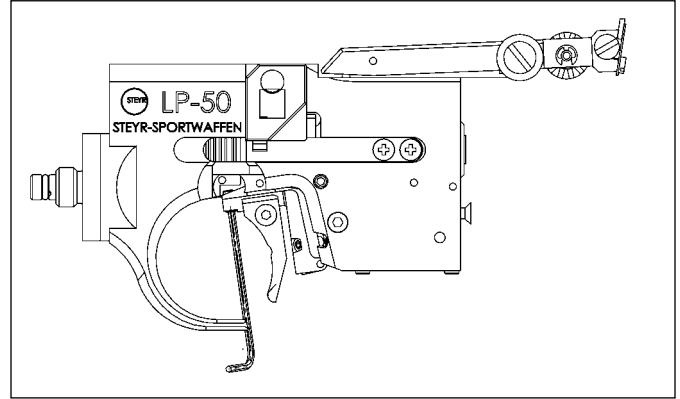
### 6.3 Adjusting the trigger pull force:

Turning the screw anticlockwise reduces the trigger pull force.  
Turning the screw clockwise increases the trigger pull force.



### 6.4 Adjusting the first stage travel:

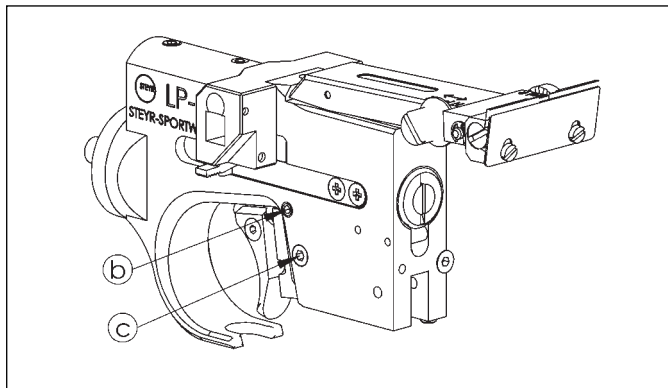
Turning the screw clockwise reduces the dead travel.  
Turning the screw anticlockwise increases the dead travel.





## 6.5 Replacing the trigger assembly:

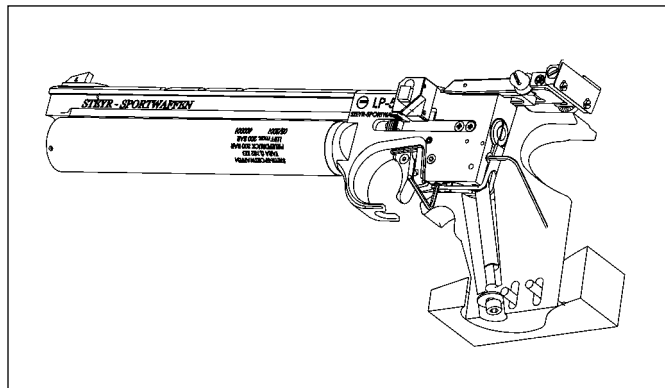
Remove grip by loosening the cheese head screw on bottom side of grip. Remove fastening screw. Remove clamping screw. Remove complete trigger assembly from casing. With the slides retracted insert trigger assembly into the pistol casing and place it against the stop up to the front of the casing. Fasten clamping and fastening screw.



## 7 GRIP ADJUSTMENT

The grip is adjustable and pivotable to the weapon system in all directions and may be widely adapted to the shooter's stance. For this purpose the grip has to be removed. Adjustment is achieved by means of the screws located at the bottom and the rear of the casing.

**PLEASE NOTE!** The two countersunk screws on the rear of the casing must always protrude at least 2.5 mm, to assure the velocity screw is clear of the grip.



## 8 REPLACING AND REFILLING THE COMPRESSED-AIR CYLINDER

The legal requirements and rules of the respective country must be adhered to. Compressed-air cylinders have to be inspected after 10 years exclusively by the manufacturer. It is the responsibility of the customer to return the cylinders to the manufacturer. For reasons of safety the magazine has to be removed before exchanging the compressed-air cylinder. The compressed-air cylinder may be unscrewed and removed at any time without being emptied.

**WARNING! Do not tamper with compressed-air cylinder and valve. It may cause injury!**

The compressed-air cylinder is to be charged with a maximum filling pressure of 200 bar.

For recharging the cylinder proceed as follows:

- either mount the compressed-air cylinder on a recharging bottle
- or mount the compressed-air cylinder on a hand pump
- or mount the compressed-air cylinder on a compressor

## 9 CLEANING AND CARE

In standard use the weapon operates maintenance-free and no oiling is required.

The only maintenance required is to slightly grease the O-ring in the loading port and the O-ring at the threaded adapter socket for the compressed-air cylinder with a special lubricant (acid-free silicone grease) every 1000 shots. This will increase the service life of the O-rings.

To clean the barrel shoot some dry (not greased) felt pellets through the barrel.

## 10 GUARANTEE CLAUSES

If within one year from the day of purchase any cracks or breaks should occur on this weapon that are due to material failure we undertake repair the defective parts free of charge. (except breakage or cracking of the stock/pistol grip or O-rings).

Guarantee will be given by either replacing or repairing the weapon or parts of it at our sole discretion. **The guarantee is only valid if the fully completed guarantee card is returned immediately after purchasing the weapon.**

**No guarantee claims will be accepted by the Steyr-Sportwaffen GmbH if:**

- a) the weapon has been damaged or destroyed by force majeure or environmental influences;
- b) in case of damages/defects having been caused by improper treatment, or handling or by lack of care;
- c) if the weapon has been repaired, machined or altered by any person or workshop other than an authorised Steyr Sportwaffen GmbH workshop.

**Claims for damages and product liability:**

No claims for direct or indirect damages will be accepted.

Liability for material damages resulting from the product liability law, BGBL 99/1988, as well as any product liability claims that could be derived from other provisions are excluded.

The object of purchase warrants only that type of safety which may be expected in accordance with the homologation rules, service manual, manufacturer's instructions as well as any other pertinent information received.

The above clauses govern the full customer/manufacturer relationship with our company. Any additional claims, in particular for any kind of damages or losses caused by the weapon or its use, are excluded.

**Guaranteed Steyr Sportwaffen accuracy:**

Our barrels are made from high quality barrel steel and are produced according to the latest findings in barrel production technology. Our weapons are well known for their outstanding accuracy. However, the accuracy of a weapon depends on several factors; one of the most important factors is the ammunition used. Not every ammunition "fits" every barrel equally good.

If you follow our suggestion, we guarantee that you will achieve outstanding accuracy with your new product. Claims regarding inconsistent accuracy must be reported to us in written within 20 (twenty) days after purchasing the weapon.

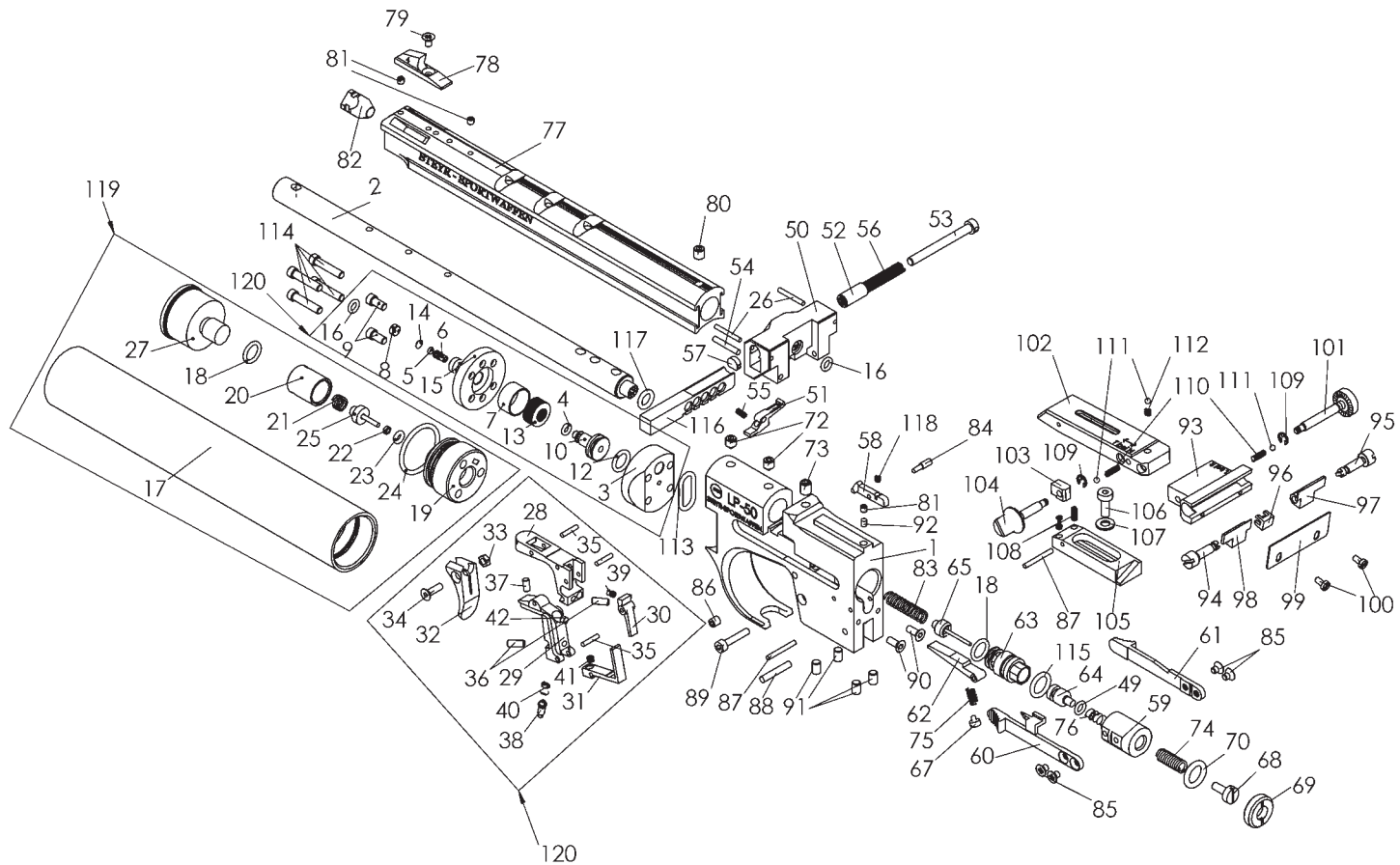
To check precision with a clamped weapon, it is advisable to clamp the pistol around the area of the trigger guard.

**11 PARTS LIST LP 50**

<b>Pos</b>	<b>Designation</b>
1	Housing
2	Barrel
3	Housing pressure reducing valve
4	O-ring
5	O-ring
6	Adjusting screw pressure red. Valve
7	Guiding sleeve
8	Cover
9	Screw
10	Piston
12	O-ring
13	Disc spring
14	Filter
15	Adapter for pressure reducing valve
16	O-ring
17	Compressed air cylinder
18	O-ring
19	Valve body
20	Valve head
21	Pressure spring
22	Supporting ring
23	O-ring
24	O-ring
25	Cylinder valve tappet
27	Pressure gage
28	Trigger housing
29	Trigger blade carrier
30	Trigger lever
31	Disconnecter lever
32	Trigger
33	Nut
34	Screw
35	Parallel pin
36	Slotted set screw
37	Slotted set screw
38	First stage screw
39	Pressure spring
40	First stage pressure spring

Pos	Designation
41	Pressure spring
42	Slottet set screw
43	Grip
44	Rest plate
46	Grip weight
47	Slotted cheese head screw
48	Washer
49	O-ring
50	Magazine block
51	Magazine notch
52	Spring sleeve
53	Spring lock
54	Parallel pin
55	Spring
56	Pressure spring
57	Cover
58	Magazine cut-off spring
59	Striker
60	Slide, left
61	Slide, right
62	Trigger sear
63	Valve housing
64	Piston
65	Valve housing
67	Screw
68	Setscrew
69	Screw for housing
70	O-ring
71	Grip locking rod
72	Slottet set screw
73	Slottet set screw
74	Pressure spring
75	Pressure spring
76	Pressure spring
77	Barrel casing
78	Front sight
79	Countersunk screw
80	Slottet set screw
81	Slottet set screw

Pos	Designation
82	Compensator cone
83	Pressure spring
84	Screw
85	Countersunk screw
86	Slottet set screw
87	Parallel pin
88	Parallel pin
89	Slotted cheese head screw
90	Screw
91	Slottet set screw
92	Lock
93	Sight carrier
94	Spindle left
95	Spindle right
96	Clamp
97	Rear sight leaf, right
98	Rear sight leaf, left
99	Cover plate
100	Slotted cheese head screw
101	Slide setscrew
102	Rear sight adjusting plate
103	Sliding block
104	Height setscrew
105	Rear sight plate
106	Slotted cheese head screw
107	Washer
108	Pressure spring
109	Lock screw
110	Plunger spring
111	Ball
112	Pressure spring
113	O-ring
114	Screw
115	O-ring
116	Magazine
117	O-ring
118	Pressure spring
119	Compressed air cylinder
120	Trigger Assembly complete



# LP-50

