

Attention:

This operator's manual should be read carefully before using the air rifle.

Important measures when using arms:

All firearms can be dangerous; they should be used and stored with utmost caution!

Always treat an unloaded weapon as if it were loaded. Never put your finger on the trigger, except when actually firing a shot. Always ensure that the weapon is pointing in a safe direction. Keeping the weapon in perfect condition ensures safety.

Weapons must always be stored out of the reach of unauthorized persons.

Approved hearing and eye protection has to be used when shooting.

TABLE OF CONTENTS

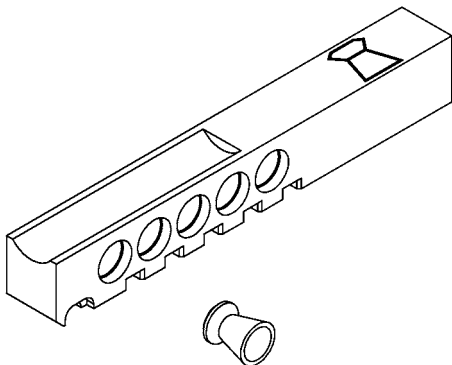
1	Technical data	22
2	Filling the magazine	23
3	Cocking, inserting the magazine (loading), firing	24
4	Removing the magazine (unloading)	26
5	Trigger adjustment	27
5.1	Trigger blade adjustment	27
5.2	Adjusting the trigger stop	28
5.3	Adjusting the trigger pull force	29
5.4	Adjusting the first stage travel	30
6	Sight adjustment	31
7	Stock adjustment	32
7.1	Cheek piece adjustment.....	32
7.2	Butt plate adjustment	33
7.3	Butt plate angle adjustment	34
8	Replacing and refilling the compressed-air cylinder	35
9	Cleaning, care and shooting-performance	36
10	General guarantee conditions	36
11	Parts list	36

1 TECHNICAL DATA

Calibre	4.5 mm (.177)
Overall height of weapon	300 – 320 mm
Overall length of weapon	1.020 – 1.070 mm
Overall width of weapon	50 mm (without magazine and tensioning lever)
Total weight of weapon	ca. 3.500 g
Sight length	730 mm
Front sight	front sight tunnel
Rear sight	rear sight / dioptre
Barrel length	425 mm
Maximum filling pressure	200 bar
Operating pressure	60 bar

2 FILLING THE MAGAZINE

Place pellets one after the other, as shown, into the magazine chamber.

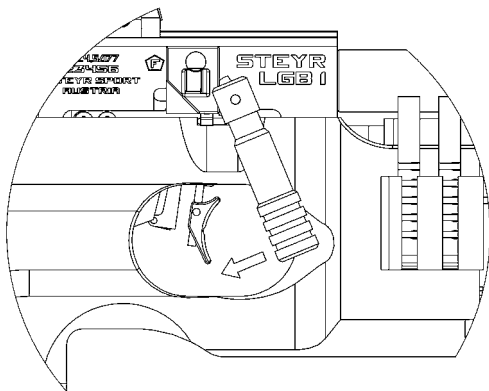


3 COCKING, INSERTING THE MAGAZINE (LOADING), FIRING

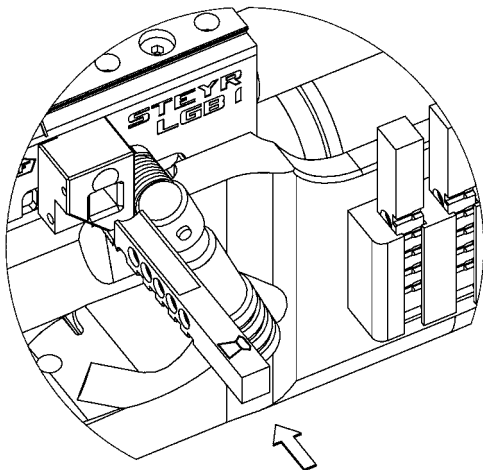
The magazine may be inserted only when the rifle is cocked. It is impossible to insert the magazine the wrong way because the recess on the magazine and the spring sleeve in the magazine housing must match.

Process:

- 1.) The System is cocked if the cocking lever is pulled fully to the rear.

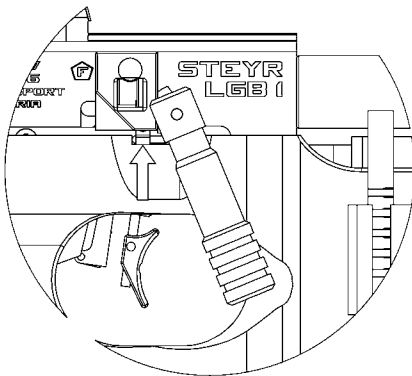


- 2.) The filled magazine has to be fully inserted from the right to the left in the magazine port. The rifle is now ready for firing.



4 REMOVING THE MAGAZINE (UNLOADING)

The magazine is empty when all five shots have been fired but the system is still cocked. The magazine catch located at the bottom right of the magazine tube has to be pressed for the magazine to be removed. If you try to fire a sixth shot the system has to be cocked again in order to be able to remove the magazine.



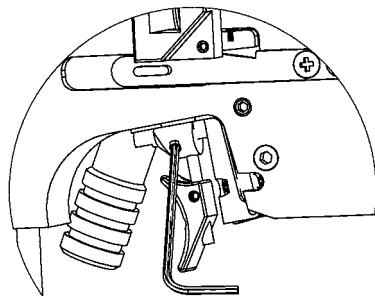
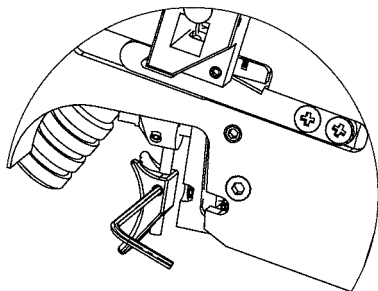
PLEASE NOTE: The magazine may also be removed without emptying it. When pressing the magazine catch, ensure the magazine, which is under spring pressure, does not fly out.

5 TRIGGER ADJUSTMENT

PLEASE NOTE: Before making any changes to the trigger, ensure that the weapon is **UNLOADED**.

5.1 Trigger blade adjustment:

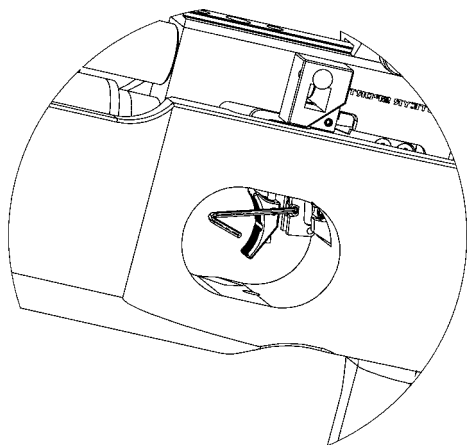
The trigger blade may be moved either to the left or to the right and moved in a longitudinal direction.



5.2 Adjusting the trigger stop:

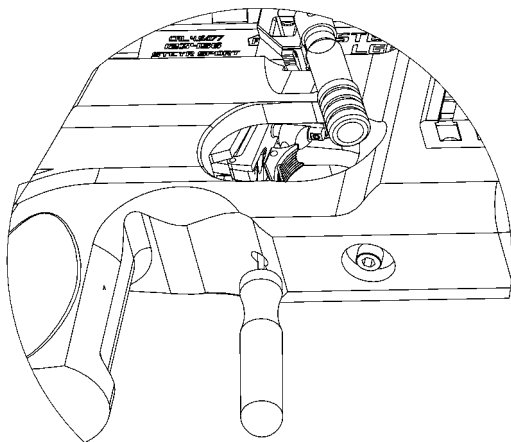
Turning the screw clockwise (as shown in the illustration) shortens the “after travel” of the trigger blade after shot release. Turning the screw anticlockwise lengthens the “after travel” after shot release.

PLEASE NOTE: Too fine adjustment of the trigger stop may cause inconsistent trigger weight and release.



5.3 Adjusting the trigger pull force:

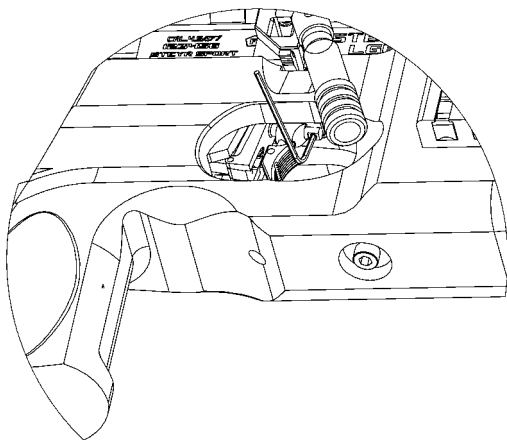
Turning the screw anticlockwise reduces the trigger pull force. Turning the screw clockwise increases the trigger pull force.



5.4 Adjusting the first stage travel:

Turning the screw clockwise reduces the dead travel. Turning the screw anticlockwise increases the dead travel.

PLEASE NOTE: Too fine adjustment of the first stage travel may cause inconsistent trigger weight and trigger release.



6 SIGHT ADJUSTMENT

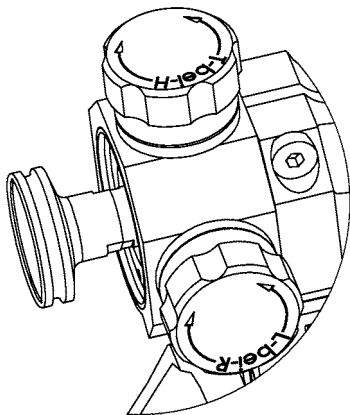
One click of the adjusting screw changes the point of impact position by 0.3 mm at a target distance of 10 m.

Vertical adjustments:

- High hits: turn the upper adjusting screw in the direction of the arrow pointing to "H".
- Low hits: turn the upper adjusting screw in the direction of the arrow pointing to "T".

Horizontal adjustments:

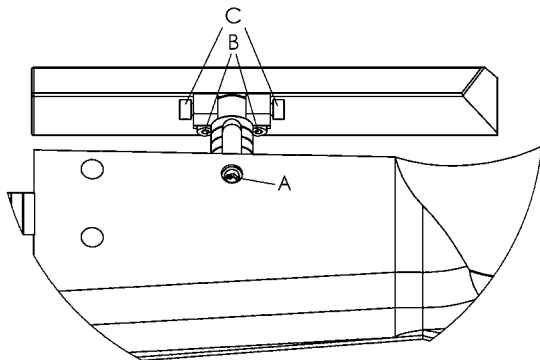
- Right hits: turn the side adjusting screw in the direction of the arrow pointing to "R".
- Left hits: turn the side adjusting screw in the direction of the arrow pointing to "L".



7 STOCK ADJUSTMENT

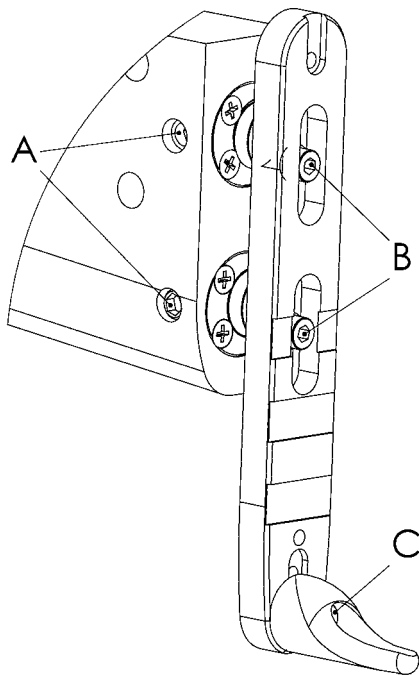
7.1 Cheek piece adjustment:

After loosening screw A the cheek piece can be moved vertically. After loosening screws B the cheek can be moved laterally and/or swivelled. After loosening screws C the cheek piece can be swivelled.



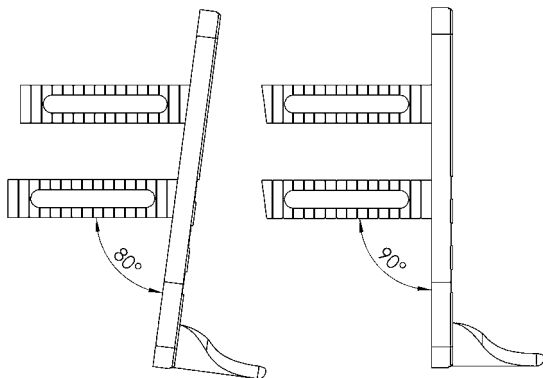
7.2 Butt plate adjustment:

After loosening screw A the butt plate can be moved forward or backward. After loosening screws B the butt plate can be moved vertically. After loosening screw C the upper support can be adjusted.



7.3 Butt plate angle adjustment:

After loosening screws B (see page 39), the angle of the butt plate can be adjusted when switching the bar.



8 REPLACING AND REFILLING THE COMPRESSED-AIR CYLINDER

The compressed-air cylinders must be emptied and safely disposed of 10 years after production date. The production and disposal dates are noted on the compressed-air cylinder.

The legal requirements and rules of the respective country must be adhered to.

The compressed-air cylinder may be unscrewed and removed at any time without being emptied.

WARNING: Do not tamper with compressed-air cylinder and valve. It may cause injury!

The compressed-air cylinder is to be charged with a maximum filling pressure of 200 bar.

For recharging the cylinder proceed as follows:

- Either mount the compressed-air cylinder on a recharging bottle
- Or mount the compressed-air cylinder on a hand pump
- Or mount the compressed-air cylinder on a compressor

9 CLEANING, CARE AND SHOOTING-PERFORMANCE

In standard use the weapon operates maintenance-free and no oiling is required.

The only maintenance required is to slightly grease the O-ring in the loading port and the O-ring at the threaded adapter socket for the compressed-air cylinder with a special lubricant (acid-free silicone grease) every 1000 shots. This will increase the service life of the O-rings.

To clean the barrel shoot some dry (not greased) felt pellets or cleaning strings through the barrel (available at your dealer).

The STEYR SPORT shooting-performance

Our gun barrels are manufactured based on the latest research and using high-quality steel. Our guns are characterised by excellent performance. But the precision is dependent on many other factors. By far the most important factor is the ammunition. Not all gun barrels give the same performance with the same ammunition. There can be significant differences. If the correct ammunition is chosen, we can guarantee outstanding performance of our guns. If you would like to check the precision with fixed barrels, please note that the weapon is only fixed in the area of the solid trigger.

10 GENERAL GUARANTEE CONDITIONS

Please look up our website

www.steyr-sport.com/en/guarantee-conditions

11 PARTS LIST

Please look up our website www.steyr-sport.com