

Attention:

This operator's manual should be read carefully before using the rifle!

Important measures when using arms:

All firearms are dangerous objects, they should be used and stored with utmost caution! Always treat an unloaded weapon as if it was loaded. Never put your finger on the trigger, except when actually firing a shot. Always ensure that the weapon is pointing in a safe direction. Keeping the weapon in perfect condition ensures safety.

Weapons always have to be stored out of the reach of unauthorised persons.

Approved hearing and eye protection has to be used when shooting.

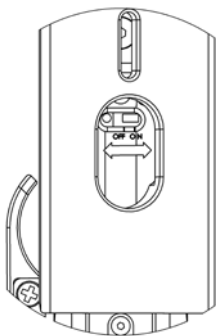
TABLE OF CONTENTS

1	TECHNICAL DATA	28
2	READINESS OF THE ELECTRONIC UNIT	29
3	COCKING, LOADING AND SHOOTING	30
4	SIGHT ADJUSTMENT	31
5	TRIGGER ADJUSTMENT	32
5.1	First stage travel adjustment	33
5.2	First stage weight and single stage trigger adjustment	34
5.3	Second stage weight adjustment	35
5.4	Trigger blade adjustment	36
6	MUZZLE VELOCITY	37
7	DRY FIRING MECHANISM	38
8	ADJUSTING THE STOCK	39
8.1	Adjusting front stock	39
8.1.1	Adjusting front stock Bench Rest	40
8.2	Cheek piece adjustment	41
8.3	But plate adjustment	43
8.4	Pitch adjustment	44
9	ADJUSTING THE GRIP	45
10	REPLACING AND REFILLING THE CYLINDER	46
11	ASSEMBLY AND DISASSEMBLY	47
12	CLEANING, CARE AND SHOOTING-PERFORMANCE	48
13	GENERAL GUARANTEE CONDITIONS	48
14	PARTS LIST	48

1 TECHNICAL DATA

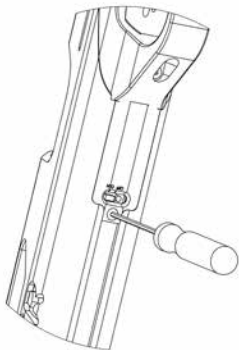
Caliber	4,5 mm (.177)
Overall height	170 mm (without sight)
Overall length	1.120 mm – 1.160 mm
Overall width	max. 58 mm
Sight length	750 mm – 890 mm Challenge 730 mm – 920 mm Bench Rest
Barrel length	450 mm
Total weight	appr. 4.400 g Challenge without additional weights appr. 5.000 g Bench Rest and sight heights
Maximum filling pressure ..	200 bar
Power max.	7,5 Joule
Electronic power supply	2 standard 1,5 V AAA alkaline cells
Operating pressure	70 bar

2 READINESS OF THE ELECTRONIC UNIT (CHALLENGE E)



Switch rifle to ON, the red LED at the ON/OFF-switch flashes once. If this is not the case, the batteries have to be changed.

The CHALLENGE E is equipped with two high-quality alkaline cells. If the weapon is not turned off after usage, the batteries lose voltage more quickly and need to be changed sooner.



To change the batteries, simply remove the battery cover on the bottom of the housing by loosening the screw (fig.). Positioning of the batteries as shown on the bottom of the battery case.

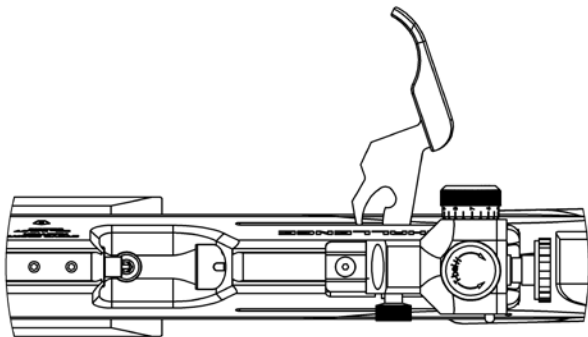
ATTENTION:

Only change batteries when electronic is switched off and weapon is unloaded.

Used batteries have to be disposed of in accordance with the laws of the respective country.

3 COCKING, LOADING AND SHOOTING

Pull back the cocking lever all the way to the rear, this cocks the rifle and opens the loading port of the barrel. Insert a pellet and fully close the cocking lever handle. The rifle is ready for firing.



NOTE: Weapons are also available with left-hand cocking lever!

4 SIGHT ADJUSTMENT

The setscrews have to be turned on the rear sight as follows:

- | | | |
|-----------|---|---|
| High hit | – | turn height-adjusting knob direction H |
| Low hit | – | turn height-adjusting knob direction T |
| Right hit | – | turn side-adjusting knob in direction R |
| Left hit | – | turn side-adjusting knob in direction L |

1 click will change the point of impact by 0.3mm at 10 metres. Therefore 10 clicks will move the point of impact one complete ring on the target. The length of sight is individually adjustable by moving the rear sight and front sight tunnel. The rear and front sight are adjustable for lateral offset and height due to different distance discs. In addition it can be moved laterally up to 7 mm.

PLEASE NOTE: If adjustments of front and rear sight heights are at the maximum of 60 mm (middle of front sight to middle of barrel) the riser blocks of rear sight must be 2.75 mm (smallest additional disc) higher than front sight!

PLEASE NOTE: You must use the right length of screw, if too long of a screw is used, then surface of the housing will be damaged!

5 TRIGGER ADJUSTMENT

PLEASE NOTE: Before making any changes on the trigger, ensure that the weapon is unloaded!

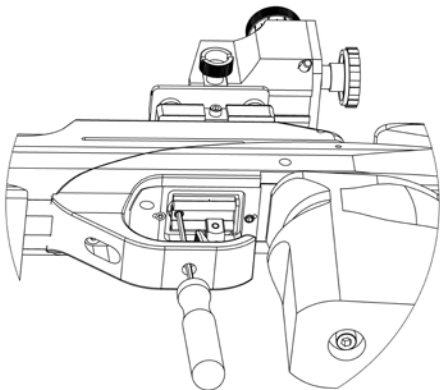
The trigger has the following individual adjustments:

- First stage travel adjustment
- First stage weight and single stage trigger adjustment
- Second stage weight adjustment
- Trigger blade adjustment

5.1 First stage travel adjustment

Turning the screw clockwise
= shorter first stage travel

Turning the screw counter-clockwise
= longer first stage travel

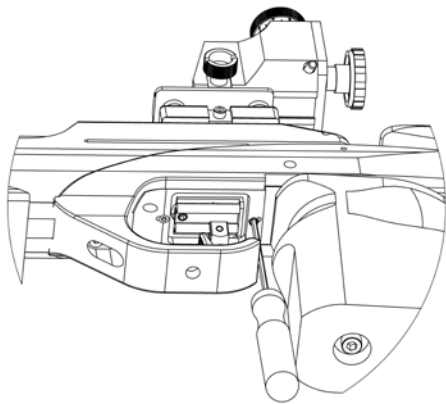


5.2 First stage weight and single stage trigger adjustment

Turning the screw clockwise
= higher first stage pressure

Turning the screw counter-clockwise
= lower first stage pressure

To get a single stage trigger, turn the screw counter-clockwise completely until first stage pressure is equal to zero.

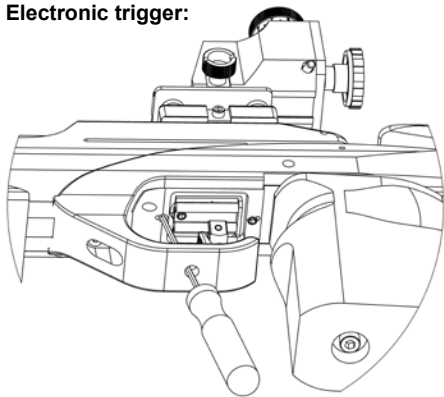


5.3 Second stage weight adjustment

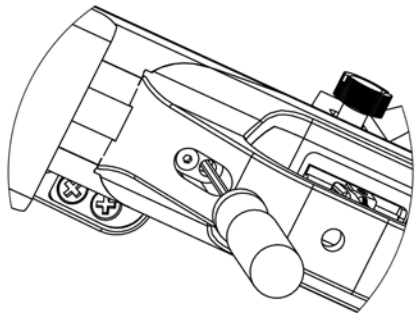
Turning the screw clockwise
= heavier second stage pull

Turning the screw anti-clockwise
= lighter second stage weight.

Electronic trigger:



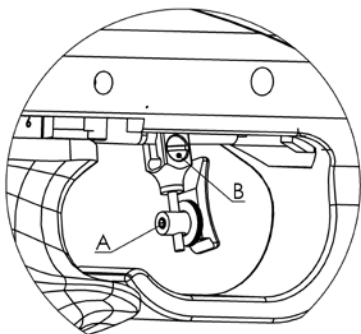
Mechanical trigger:



5.4 Trigger blade adjustment

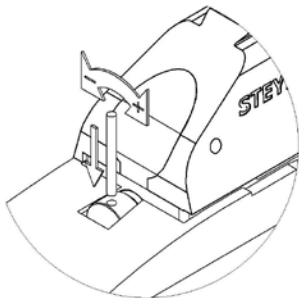
Loosen countersunk screw A, the trigger blade may be moved in height and rotated.

Loosen countersunk screw B, the trigger blade may be moved longitudinally and can be angled.



6 MUZZLE VELOCITY

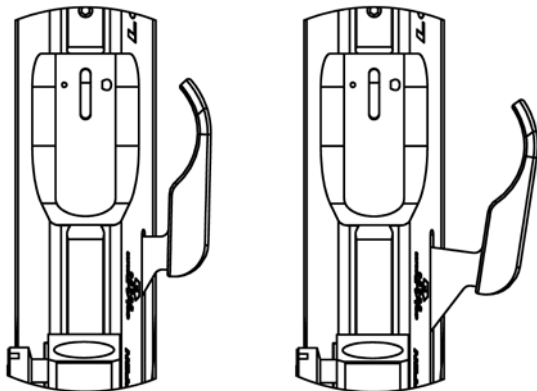
The muzzle velocity can be finely adjusted to any ammunition by turning the velocity screw as shown on the illustration.



7 DRY FIRING MECHANISM

a) Conventional dry firing (mechanical trigger)

The cocking lever handle is pulled backwards to the stop and then be moved forward again until the first resistance is felt. If the rifle already cocked, the dry firing mechanism can be used by opening the cocking lever only.



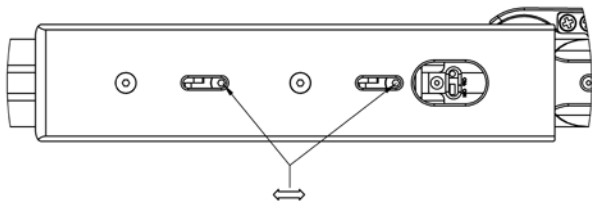
b) Dry firing with electronic trigger

Switch on the electronic unit. The system does not need to be cocked for dry firing. Make sure that the weapon is not loaded. Trigger can be tested for real shooting with the cocking lever fully closed.

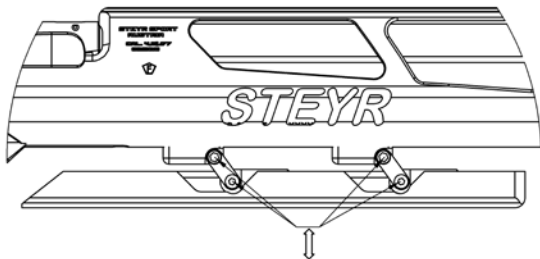
8 ADJUSTING THE STOCK

8.1 Adjusting front stock (not for Bench Rest version)

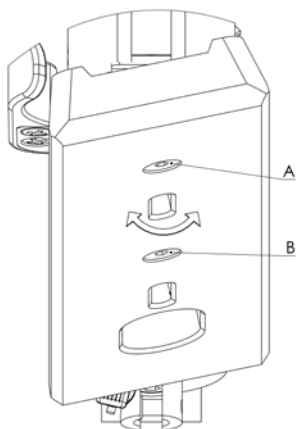
The front-stock can be moved in length by opening the screw.



The front-stock can be moved in height and can be angled by opening the four screws.

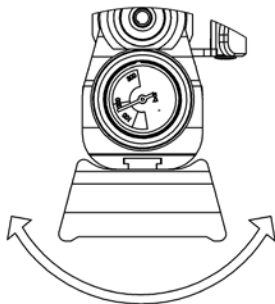


The front-stock can be angled by opening screw A + B.



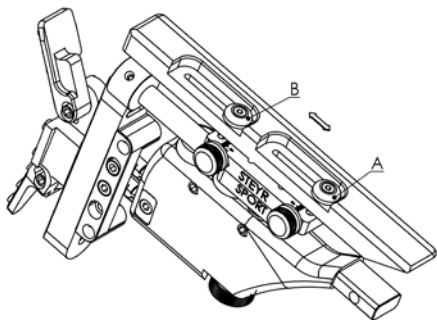
8.1.1 Adjusting front stock Bench Rest

The front stock of the BR-model can be tilted to rest perfectly on the bench.

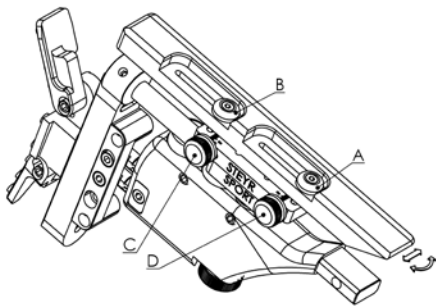


8.2 Cheek piece adjustment

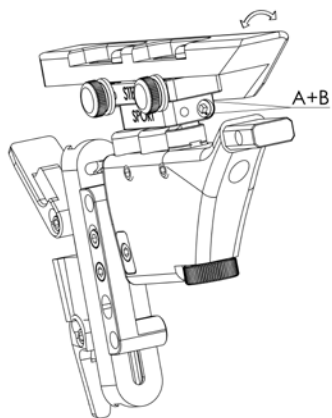
Screw A + B allows the cheek piece to be moved in length.



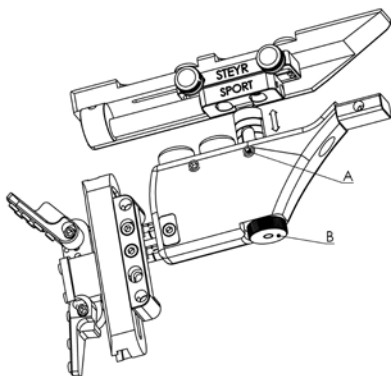
The cheek piece can be moved laterally and turned with the knurled screws C + D.



Loosening screw A + B, the cheek piece can be angled.

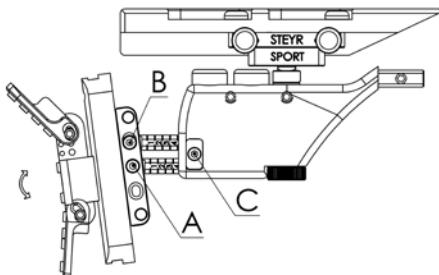


After loosening screw A the cheek piece can be adjusted in height with the knurled screw B.

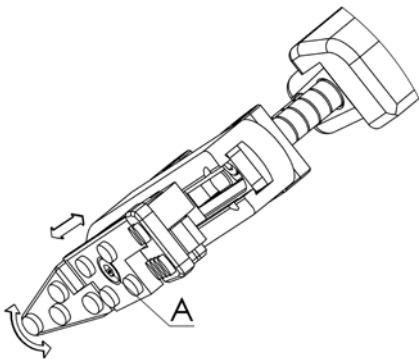


8.3 But plate adjustment

Screw C allows the butt plate to be moved in length. Loosening Screws A + B the but plate can be angled.

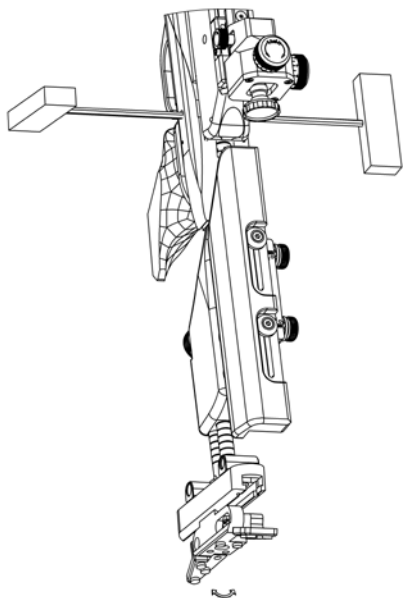


Loosening the screw A the but plate can be adjusted in height and can be angled. By shortening or completely removing the rubber inserts, precise adjustment of the butt plate can be achieved.



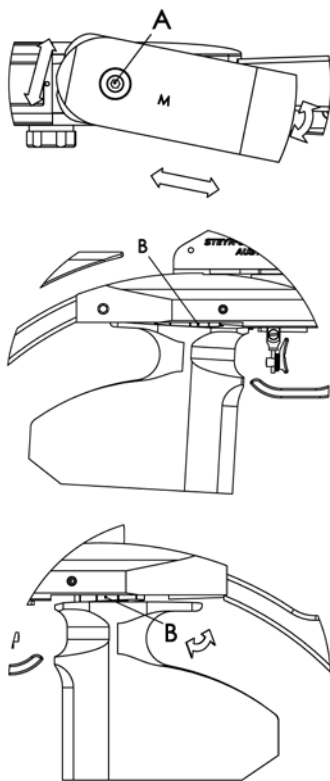
8.4 Pitch adjustment

By loosening screws, the angle of the rear stock can be adjusted.



9 ADJUSTING THE GRIP

The grip can be moved in length by loosening screw A, turned and moved laterally. Additionally with grip set disc B the grip can be adjusted in angle. The grip set disc is fixed with a screw which has to be loosened before the grip set disc can be adjusted.



10 REPLACING AND REFILLING THE COMPRESSED-AIR CYLINDER

Compressed-air cylinders must be emptied and safely disposed of 10 years after production date. The legal requirements and rules of the respective country must be adhered to.

The compressed-air cylinder may be unscrewed and removed at any time without being emptied.

WARNING! Do not tamper with compressed-air cylinder and valve. It may cause injury!

The compressed-air cylinder is to be charged with a maximum filling pressure of 200 bar.

For recharging the cylinder proceed as follows:

- either mount the compressed-air cylinder on a recharging bottle
- or mount the compressed-air cylinder on a hand pump
- or mount the compressed-air cylinder on a compressor

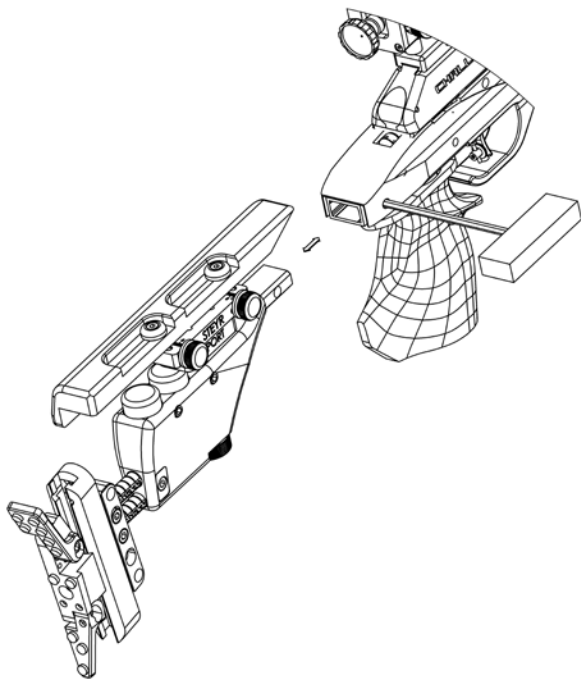
(See also the FAQ Site at www.steyr-sport.com)

11 ASSEMBLY AND DISASSEMBLY

Knocked down to 2 parts, the CHALLENGE can easily be transported.

Assembly:

Insert the rear stock up to the stop of the stock and lock with Allen key.



12 CLEANING, CARE AND SHOOTING-PERFORMANCE

In standard use the weapon operates maintenance-free and no oiling is required.

To clean the barrel shoot some dry (not greased) felt pellets through the barrel (available at your dealer).

The STEYR SPORT shooting-performance:

Our barrels are made from high quality barrel steel and are produced according to the latest findings in barrel production technology. Our weapons are well known for their outstanding accuracy. However, the accuracy of a weapon depends on several factors; one of the most important factors is the ammunition used. Not every ammunition „fits“ every barrel equally good. If you follow our suggestion, we guarantee that you will achieve outstanding accuracy with your new product. To check precision with a clamped weapon, it is advisable to clamp the weapon around the area of the massive housing.

13 GENERAL GUARANTEE CONDITIONS

Please look up our website
www.steyr-sport.com/en/guarantee-conditions

14 PARTS LIST

Please look up our website
www.steyr-sport.com